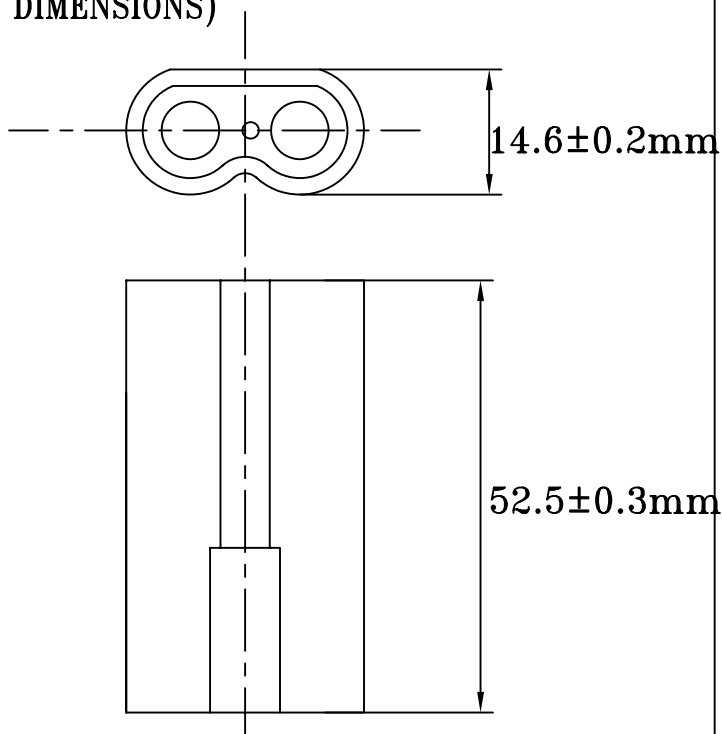


Ni-MH rechargeable cylindrical cell (Data Sheet)

Data Sheet

Nominal Voltage		2.4V	
Dimensions	Diameter	14.6±0.2mm	
	Height	52.5±0.3mm	
	Apx. Weight	60g	
0.2C Discharge Capacity	Typical	2000mAh	
	Minimum	1930mAh	
Typical Internal Impedance		Less than 55m	
Charge	Standard	200mA for 14 to 16hrs	
	Fast	1000mA to - V=10mV (about 75min)	
Life expectancy		500 cycles	
Operating Temperature	Charge	Standard	0°c to 40°c
		Fast	10°c to 40°c
	Discharge		-10°c to 50°c
	Storage	< 1 year	-10°c to 30°c
< 3 months		-10°c to 40°c	

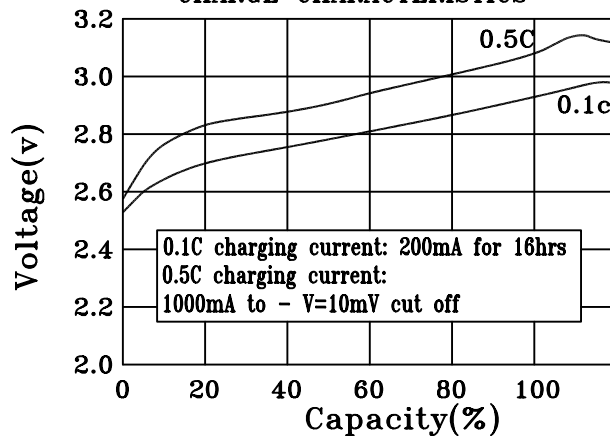
(CELL DIMENSIONS)



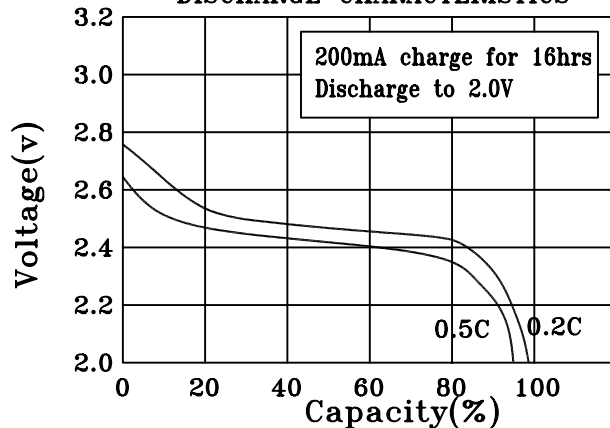
(Without tube)

1:1

CHARGE CHARACTERISTICS



DISCHARGE CHARACTERISTICS



DISCHARGE CHARACTERISTICS AT DIFFERENT TEMPERATURE

